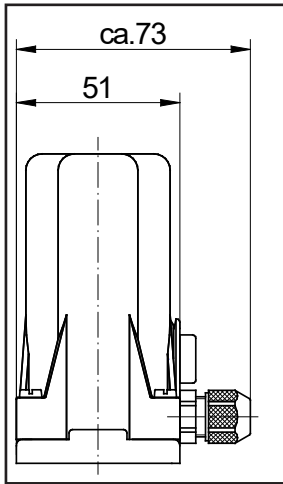
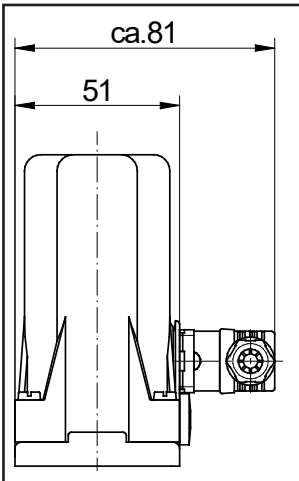


for pneumatical piston actuators

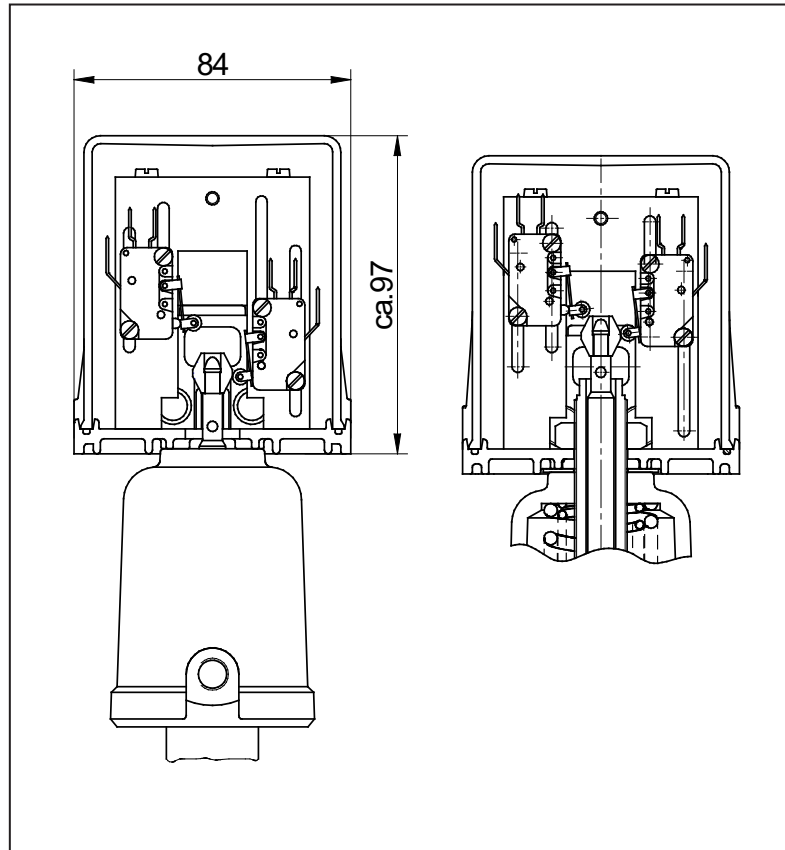
Cable Bushing



Plug-Type Connection



Protection Class of the body IP65



Standard Switches

Inductive Proximity Switches

Breaking capacity	200 mA
Voltage	10-36 V DC
Ambient temperature	-25°C bis +70°C
Protection of the switches	IP 65
In Order Number designated as	
1 switch	PM (cable), PN (plug)
2 switches	MM (cable), MN (plug)

Mechanical Switch (Micro Switch)

Breaking Capacity	16 A	5 A
Voltage	250 V AC	4-30 V DC
Ambient Temperature	-20°C up to +80°C	
Protection of the switches	IP40	
Mechanical Lifetime	2 x 10 ⁷ Operation	
In Order Number designated as		
1 switch	1M (cable), 1N (plug)	
2 switches	2M (cable), 2N (plug)	

Special Switches

Ex-Proof Inductive Proximity Switch acc. DIN 19 234 (NAMUR)

Voltage	8 V DC
Amb. Temperature	-25°C up to +80°C
Protection of the switches	IP 67
Ex-Class	II 1 G EEx ia IIC T6
In Order Number designated as	
1 switch	9M (cable), 9N (plug)
2 switches	DM (cable), DN (plug)

Inductive Proximity Switches for High Operating Voltages*

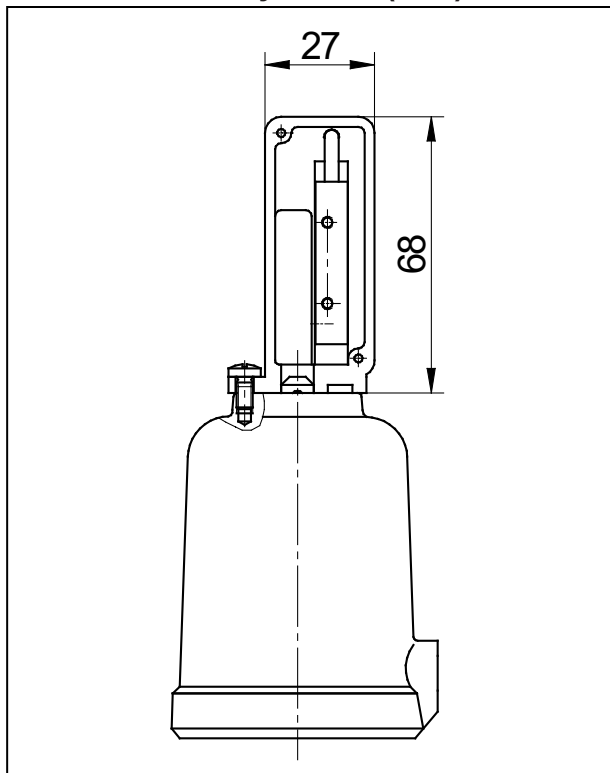
Breaking capacity	250 mA
Voltage	20-250 V AC/DC
Ambient temperature	-25°C up to +80°C
Protection of the switches	IP 67
In Order Number designated as	
1 switch	QM (cable)
2 switches	AM (cable)

* No plug-type connection

Position Indicator, compact version

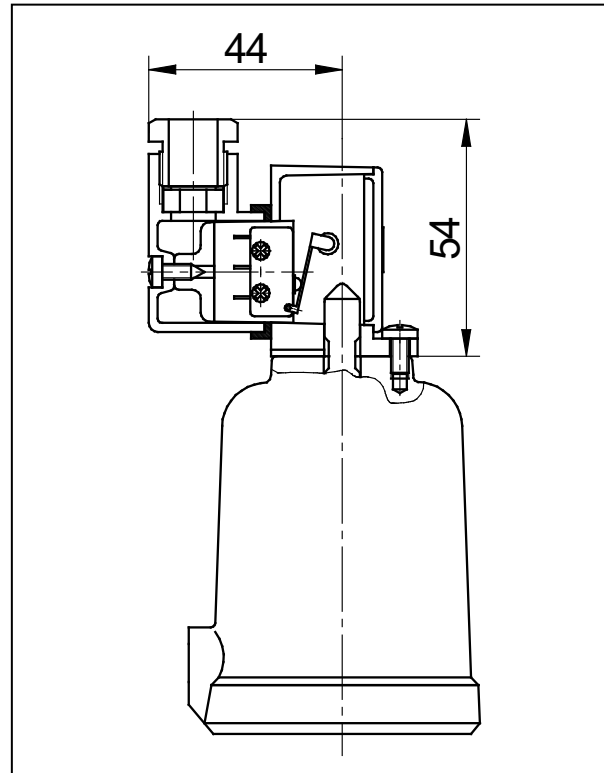
for types 7010, 7030, 7031, 7070, 7080

Inductive Proximity Switch (PNP)



Breaking capacity	200 mA
Voltage	10-36 V DC
Ambient temperature	-25°C bis +70°C
Protection	IP 67
In Order Number designated as 1 switch (upper switching point)	T

Mechanical Switch



Breaking capacity	5 A 230 V AC (resistor) 5 A 230 V AC (coil) 0.5 A 230 V AC (filament lamp) 2 A 15 - 30 V DC
Ambient temperature	-25°C up to +80°C
Protection of the switch	IP 40
Working life	>106 operations
In Order Number designated as 1 switch (upper switching point)	K

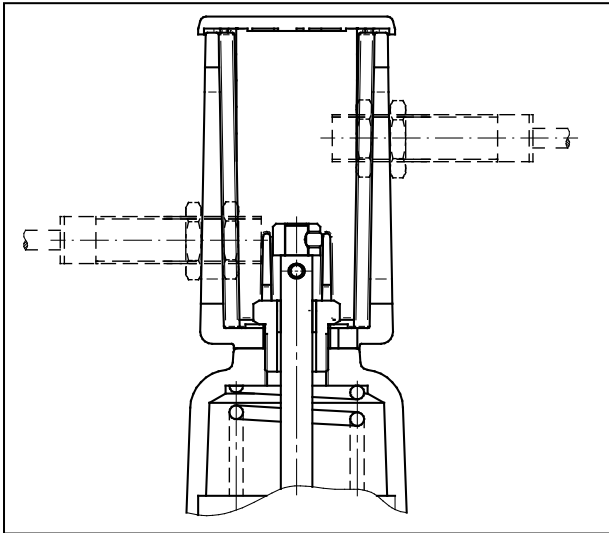
Position Indicator, compact version



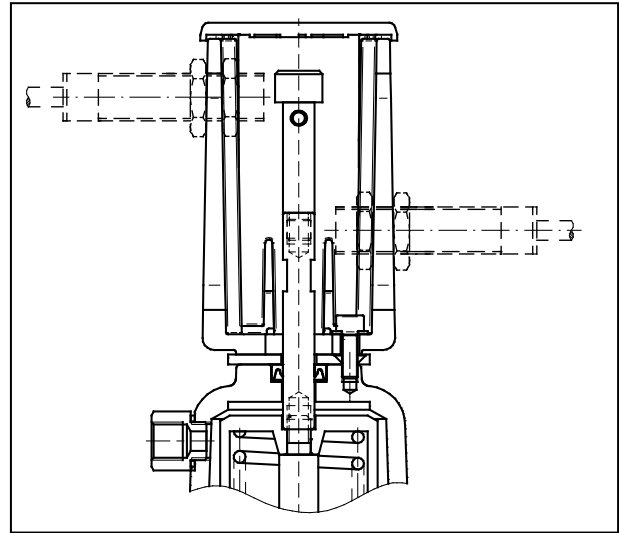
for types 7010, 7030, 7031, 7070, 7080

Feedback-unit for limit switch M12x1

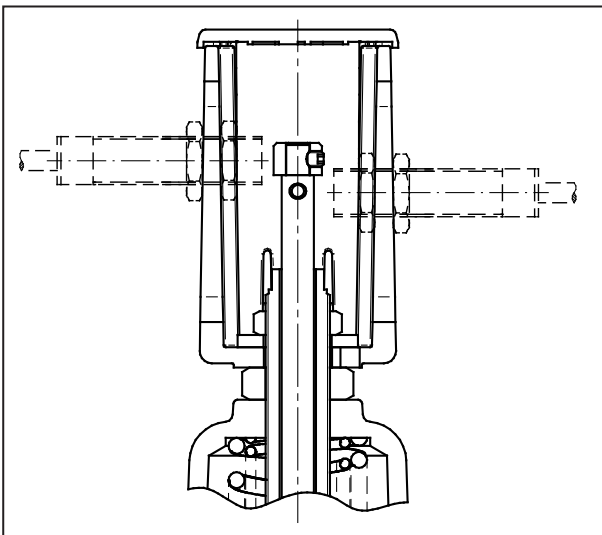
spring closes



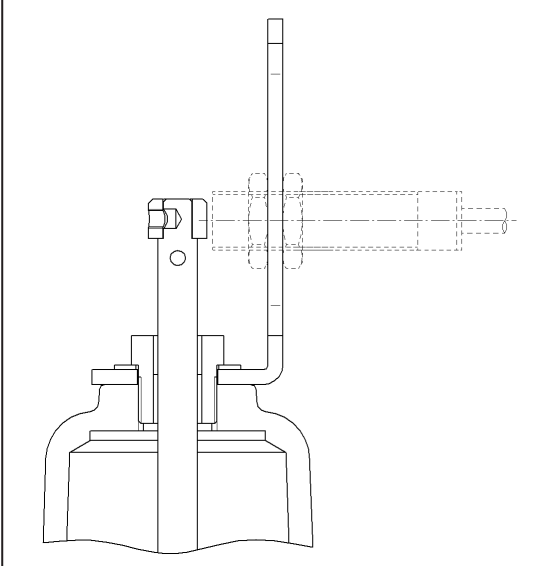
spring opens



with stroke limitation



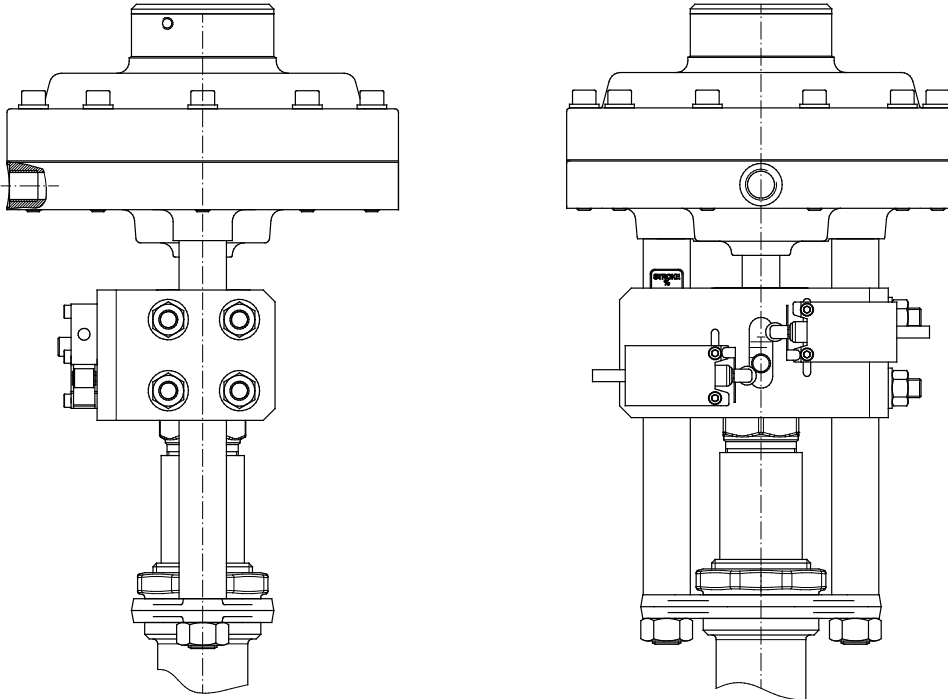
Mounting angle for ind. Limit switch M12x1



For use in closed systems only.
Movable components must not be accessible after installation in a system.
Alternatively, the feedback unit can be used.

Position Indicator 9010

Contact switch (microswitch) for valves with column mounting according to NAMUR



Inductive proximity switches for valves with column mounting according to NAMUR

