

Segmented disc valves 5020

with pneumatic actuator MZ

DN 25 up to DN 80



Pneumatic control valve for the control of liquids and steam.

- suitable for contaminated fluids
- robust design
- tight in both directions
- controllable against the flow direction
- Space saving wafer type construction
- Quiet operation
- High Kvs-values



Technical data

Body design	flangeless, wafer-type construction for flanges acc. DIN EN 1092-1, form B	
Nominal size	DN 25 to DN 80	
Nominal pressure	DN 25 to DN 80	PN 25 acc. DIN 2401 (also for flanges PN 10 to PN 25)
Fluid temperature	-60°C up to 220°C	
Ambient temperature*	-40°C bis +80°C	
Rangeability	60:1	
Characteristic	modified linear	
Leakage % of Kvs	<0,001	
Application according to DGRL	DN25 to DN150	up to Category I
2014/68/EU	DN200 to DN300	up to Category II

* Please consider the limitation of use of the positioner!

Materials

body	Stainless steel 1.4301, 1.4408
rack	Stainless steel 1.4112, treated
pressure spring	Stainless steel 1.4310
Fixed valve plate	Stainless steel 1.4112, treated
Moving valve disc	Stainless steel 1.4112, treated
slide ring	Stainless steel 1.4112, treated alternatively bronze
spring support	Stainless steel 1.4301, 1.4408
wear ring	Stainless steel 1.4301, 1.4408
body positioner	Aluminium anodized, synthetic

Positioners

For technical information of our positioners please refer to the corresponding data sheets.

Segmented disc valves with pneumatic actuator MZ 5020



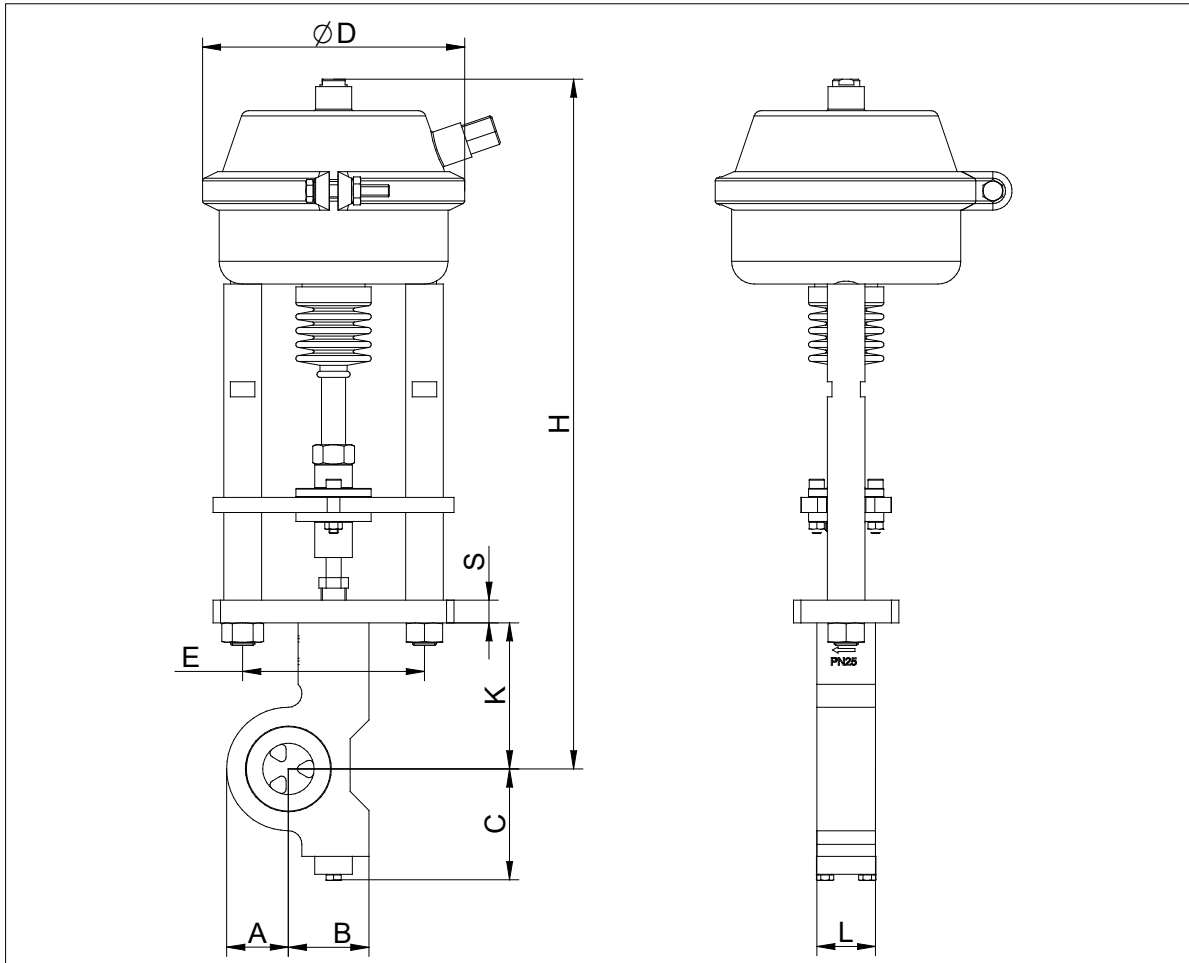
**Admissible Differential Pressure
(For temperatures of up to 120°C)**

**For temperatures of 120°C and above:
obey application limits !**

actuator	MZ 20"	MZ 30"
pilot pressure (bar)	5 - 6	
Size	max differential pressure in flow direction (agianst flow direction) (bar)	
DN25	25 (12)	-
DN32	25 (6,5)	-
DN40	13 (4)	-
DN50	-	9 (3)
DN65	-	8 (2,5)
DN80	-	3,5 (1,5)

Segmented disc valves with pneumatic actuator MZ 5020

Installation dimensions

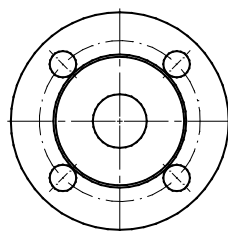


DN	A	B	C	K	L	stroke	K v s [m³/h]	actuator				actuator			
								MZ 20"				MZ 30"			
								D	H	S	E	D	H	S	E
25	35	49	70	85	39	24	7	174	446	15	120,7	-	-	-	-
32	41	54	78	97	39	28	15	174	458	15	120,7	-	-	-	-
40	46	59	82	88	45	32	24	174	449	15	120,7	-	-	-	-
50	54	69	100	110	56	29	38	-	-	-	-	204	460	15	120,7
65	64	77	96	133	63	23	52	-	-	-	-	204	483	15	120,7
80	71	85	120	140	69	26	87	-	-	-	-	204	490	15	120,7

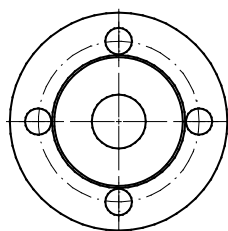
dimensions in mm

Notice:

The flanges from DN25 to DN50 have to be rotated by 45°, if the valve is to be installed vertically or horizontally.



Standard



rotated 45°