

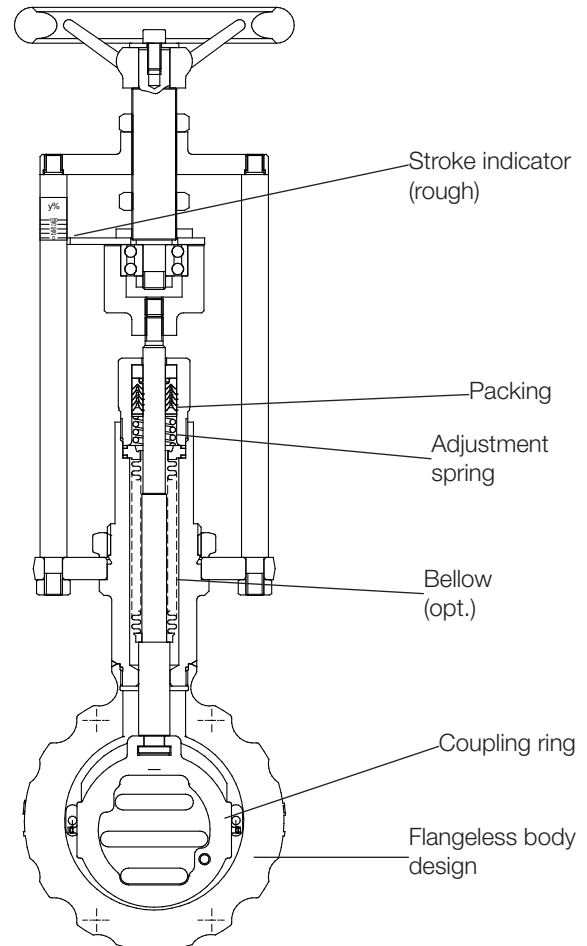
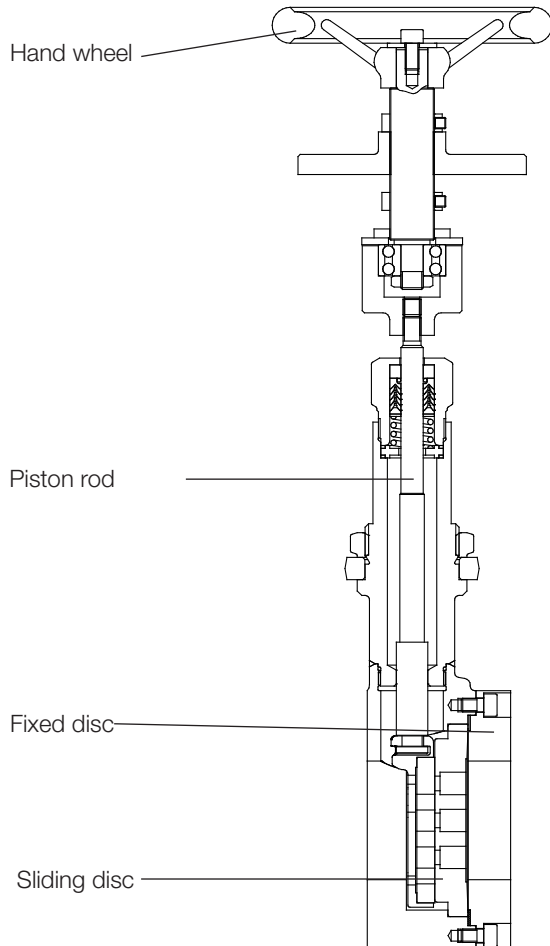
Manual Control Valve 8050

GS 3 series, DN 15 up to DN 250

SCHUBERT & SALZER
**CONTROL
SYSTEMS**

Manual control valve for neutral through to highly aggressive media.

- Precise control by hand
- Lowest possible weight (especially in larger sizes)
- High Kvs-values
- High tightness
- Simple handling of high pressure differences



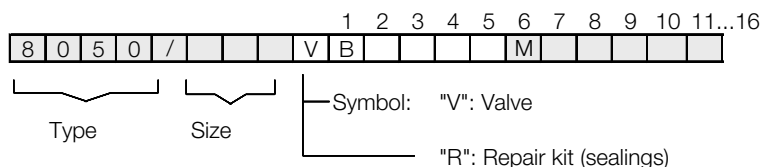
Technical Information

Body design	Flangeless, wafer-type construction more versions see on data-sheet 8050/51-GS1		
Nominal sizes	DN 15 to DN 250		
Nominal pressure acc. DIN 2401	PN 40 (fits also to PN 10-25)	DN 15 - DN 150	
	PN 100	DN 15 - DN 80	
	PN 16	DN 200 - DN 250	
Nominal pressure acc. ANSI	ANSI 150	DN15 - DN 250	
	ANSI 300	DN 15 - DN 150	
	ANSI 600	DN 15 - DN 80	
Media temperature	Carbon steel body	-10°C up to +300°C	
	Stainless steel body	-60°C up to +350°C (+300°C for SFC)	
Leakage rate (% of Kvs-value)	Disc pair	Disc pair	Disc pair
	Carbon-stainless steel < 0.0001	STN2 < 0.0005	STN2 < 0.001

Materials

Body	Stainless steel 1.4571 / 1.4581	Carbon steel 1.0570 /1.0619	
Head section	Stainless steel 1.4571 /1.4581		
Packing	PTFE (Carbon filled), spring 1.4310		
Actuating stem	Stainless steel 1.4571, roller burnished		
Bellows	Stainless steel 1.4571		
Fixed disc	Stainless steel 1.4571, coated		STN2-disc
Sliding disc	Special carbon material	SFC-disc	STN2-disc
Guide ring for sliding disc	Stainless steel 1.4571		

Ordering Number System



1 - 5 : Please quote all 5 sections.
 6 - 16: Quote only if required.

1. Type	2. Connection	3. Body material	4.	5. Actuator	6. Special versions
B GS manual valve type 8050 (long design)	E GS3-flangeless design acc. ANSI 150 F GS3-flangeless design acc. ANSI 300 K GS3-flangeless design acc. ANSI 600 G GS2-flangeless design acc. DIN PN10-40 H GS3-flangeless design acc. DIN PN100	0 carbon steel 1.0570/1.0619 1 stainless steel 1.4571/1.4581	- without significance	5 manually operated	M special versions (Pos. 7-16) A nut and nut acc. DIN EN1092-1 C nut and tongue acc. DIN EN1092-1 E 2x lowered face acc. DIN EN1092-1 H lowered and raised face acc. DIN EN1092-1
7.	8. Stem sealing	9. Moving disc	10. Fixed disc	11. Kvs-values	12. Characteristic
- without significance	- PTFE-packing, self adjusting (standard) 1 additional bellows 1.4571	- carbon material 9 STN2 S SFC	- stainless steel 1.4571 1 STN2 (only in combination with the position "9" STN2-disc)	- 100% (Stand.) A red. to 63% 1 red. to 40% B red. to 25% 2 red. to 16% C red. to 10% 3 red. to 6,3% 4 red. to 2,5% 5 red. to 1% 6 red. to 20% 7 red. to 12% 8 red. to 2% 9 red. to 0,4%	- linear 1 equal percentage

Ordering example:	8050/125VBG1-5:	GS3-manual valve type 8050, DN 125, PN10/40, stainless steel, manual operation
	8050/125VBG1-5M-1:	dto., but with bellow

Max. Differential Pressures for GS3-Valves made of stainless steel

PN 40

DN	Sliding unit: carbon/SFC - stainless steel, coated max. admissible diff. pressures for GS3-valves					
	100°C	150°C	200°C	250°C	300°C	350°C
15 - 65	40	38	34	32	31	29
80	40	38	34	32	31	29
100	33	31	29	27	25	24
125	23	21	20	19	18	17
150	16	15	14	13	12	12
200 (PN16 only)	16	15	14	13	12	11,0
250 (PN16 only)	10,5	10	9,5	8,4	7,4	6,9

DN	Sliding unit: carbon - STN2 max. admissible diff. pressures for GS3-valves					
	100°C	150°C	200°C	250°C	300°C	350°C
40	38	34	32	31	29	29
36	34	33	26	22	19	19
33	31	26	24	20	17	17
22	21	17	16	13	11	11
16	15	13	11	9	8	8
-	-	-	-	-	-	-

Limitation for SFC-sliding discs: 300°C

PN 100

DN	Sliding unit: carbon/SFC - stainless steel, coated max. admissible pressures for GS3-valves					
	100°C	150°C	200°C	250°C	300°C	350°C
15	100	95	87	82	77	72
20	100	95	87	82	77	72
25	100	95	87	82	77	72
32	100	95	87	82	77	72
40	100	95	87	82	77	72
50	100	95	87	82	77	72
65	80	76	72	67	62	60
80	48	45	43	40	37	36

DN	Sliding unit: STN2 max. admissible pressures for GS3-valves					
	100°C	150°C	200°C	250°C	300°C	350°C
100	95	87	82	77	72	72
100	95	87	82	77	72	72
100	95	87	82	77	72	72
100	95	87	82	69	60	60
72	69	65	53	43	37	37
77	73	70	56	46	40	40
62	59	56	45	37	32	32
36	34	33	26	22	19	19

Limitation for SFC-sliding discs: 300°C

ANSI #150

DN	Sliding unit: carbon/SFC - stainless steel, coated max. admissible diff. pressures for GS3-valves					
	100°C	150°C	200°C	250°C	300°C	350°C
15 - 125	16	15	13	12	10	8
150	16	15	13	12	10	8
200	16	15	13	12	10	8
250	10,5	10	9,5	8,4	7,4	6,9

DN	Sliding unit: carbon - STN2 max. admissible diff. pressures for GS3-valves					
	100°C	150°C	200°C	250°C	300°C	350°C
16	15	13	12	10	8	8
16	15	13	11	9,5	8	8
-	-	-	-	-	-	-

Limitation for SFC-sliding discs: 300°C

ANSI #300

DN	Sliding unit: carbon/SFC - stainless steel, coated max. admissible pressures in bar for GS3-valves					
	100°C	150°C	200°C	250°C	300°C	350°C
15 - 65	40	38	35	33	31	30
80	40	38	35	33	31	30
100	33	31	29	27	25	24
125	23	21	20	19	18	17
150	16	15	14	13	12	12

DN	Sliding unit: STN2 max. admissible pressures for GS3-valves					
	100°C	150°C	200°C	250°C	300°C	350°C
40	38	35	32	31	29	29
36	34	33	26	22	19	19
33	31	26	24	20	17	17
22	21	17	16	13	11	11
16	15	13	11	9	8	8

Limitation for SFC-sliding discs: 300°C

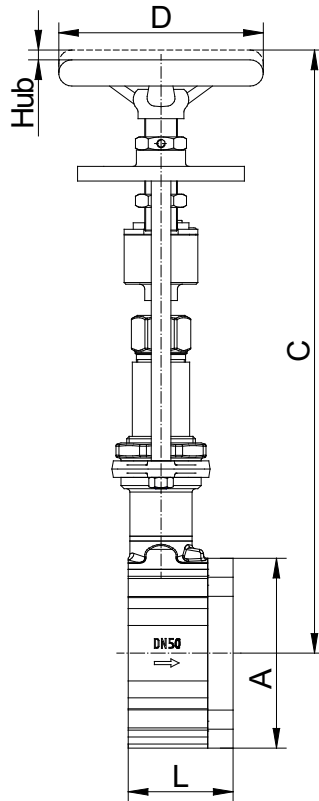
ANSI #600

DN	Sliding unit: carbon/SFC - stainless steel, coated max. admissible pressures for GS3-valves					
	100°C	150°C	200°C	250°C	300°C	350°C
15 - 32	80	77	71	66	63	60
40	80	77	71	66	63	60
50	80	77	71	66	63	60
65	80	76	71	66	62	60
80	48	45	43	40	37	36

DN	Sliding unit: STN2 max. admissible pressures for GS3-valves					
	100°C	150°C	200°C	250°C	300°C	350°C
80	77	71	66	63	60	60
72	69	65	53	43	37	37
77	73	70	56	46	40	40
62	59	56	45	37	32	32
36	34	33	26	22	19	19

Limitation for SFC-sliding discs: 300°C

Dimensions and Weights



DN	A	C max	D	L	Weight kg	Stroke H
15	64	332	125	56	4	6
20	72	337	125	56	4,3	6
25	82	342	125	56	4,6	6
32	89	344	125	56	4,8	6
40	99	347	125	56	5,1	6
50	116	362	125	64	6,6	8
65	138	372	125	68	8,1	8
80	153	377	125	70	9,3	8
100	184	392	125	75	12,5	8,5
125	212	407	125	80	15	8,5
150	242	422	125	80	18,5	8,5
200	302	452	125	93	35	8,5
250	360	479	125	96	40,5	8,5

Dimensions in mm