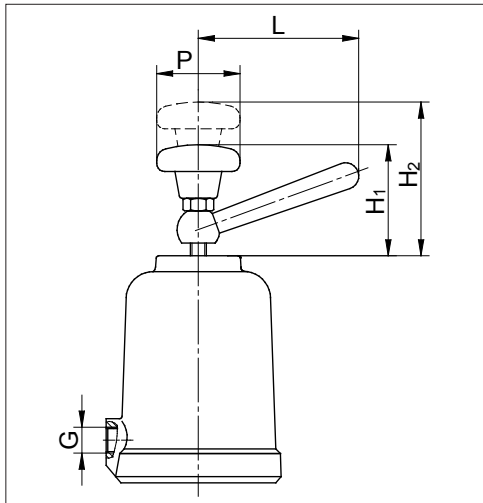


# Manual Emergency Operation 9020

for Type 7010, 7030, 7031, 7070, 7080



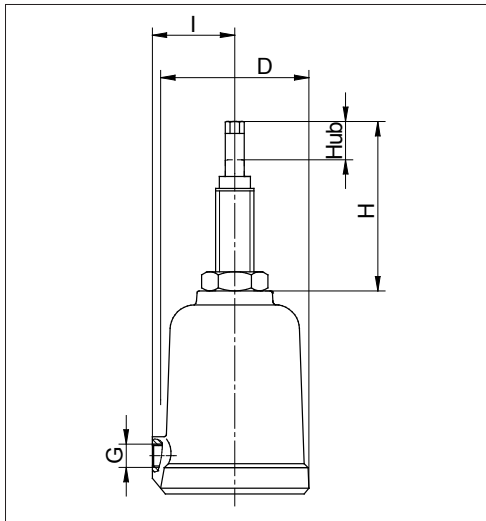
### Additional manual operation:

(for normally closed version)

The valve can be opened manually by using the locking handle.

Actuator	L	G	P	H1	H2
2"	1.89	G 1/8"	1.26	1.54	2.17
3"	2.36	G 1/4"	1.57	2.24	3.39
5"	2.36	G 1/4"	1.57	1.97	3.11

In order number system designated as 4



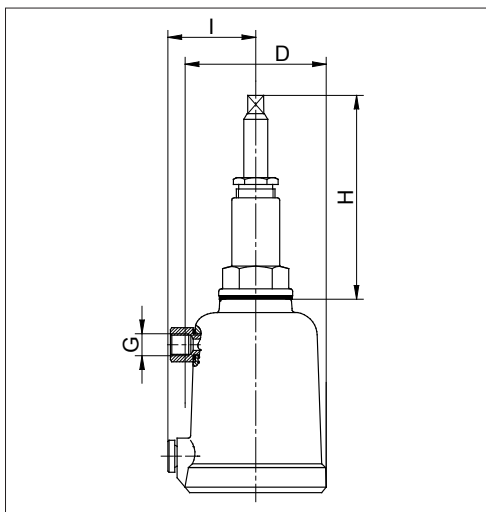
### Stroke limitation:

(for normally closed version)

The maximum stroke can be limited with the help of an additional travel stop at the elongated piston rod.

Actuator	D	I	G	H	Stroke
2"	2.44	1.36	G 1/8"	2.66	0.63
3"	3.86	2.17	G 1/4"	2.72	1.18
5"	5.67	3.07	G 1/4"	2.44	1.18

In order number system designated as 5



### Manual emergency operation and stroke limitation:

(for normally open version)

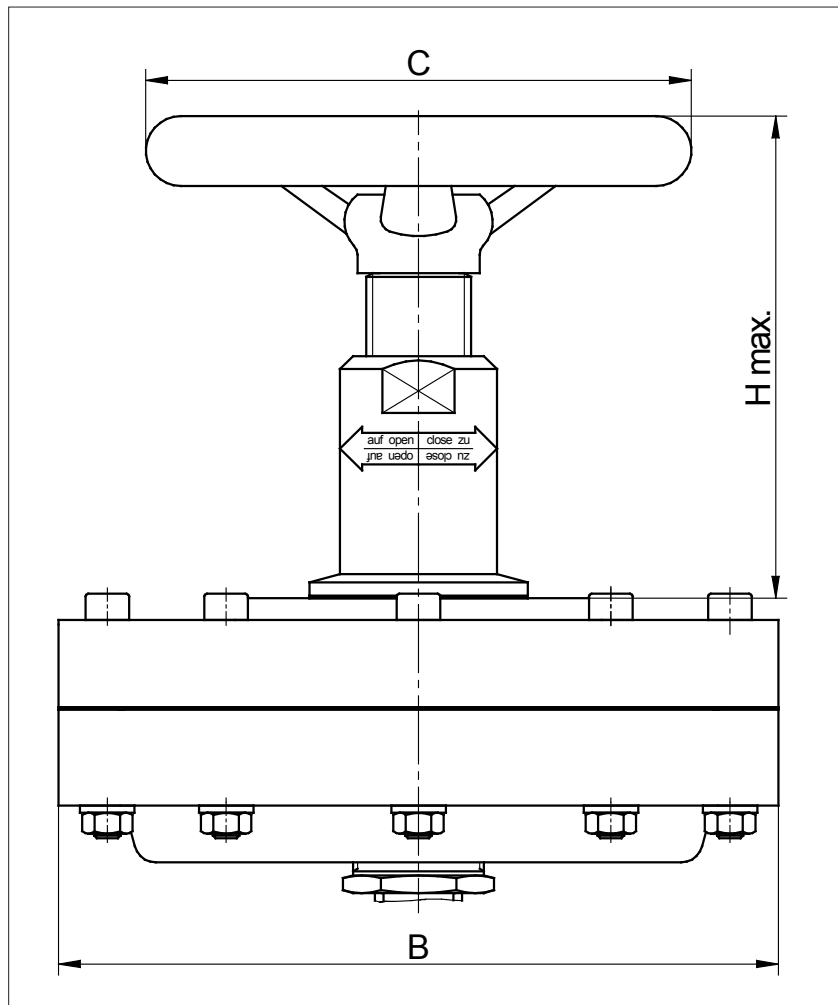
Using the set screw with packing you can limit the stroke or close valve in emergency.

Actuator	G	D	Hmax.	I
2"	G 1/8"	2.44	3.74	1.59
3"	G 1/4"	3.86	3.74	2.4
5"	G 1/4"	5.67	3.74	3.31

In order number system designated as 3

# Additional Manual Operation

## for Type 8020



Actuator	B	C	Hmax	No. of springs
5"	6.5	4.92	4.53	up to 6
5"	6.5	7.87	4.92	up to 8
10"	8.74	7.87	4.72	-
In order number system designated as 1				

Text and pictures are not binding. We reserve the right to alter the equipment.