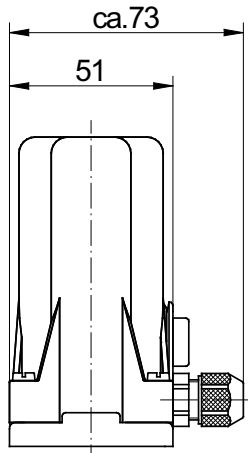


# Position Indicator 9010

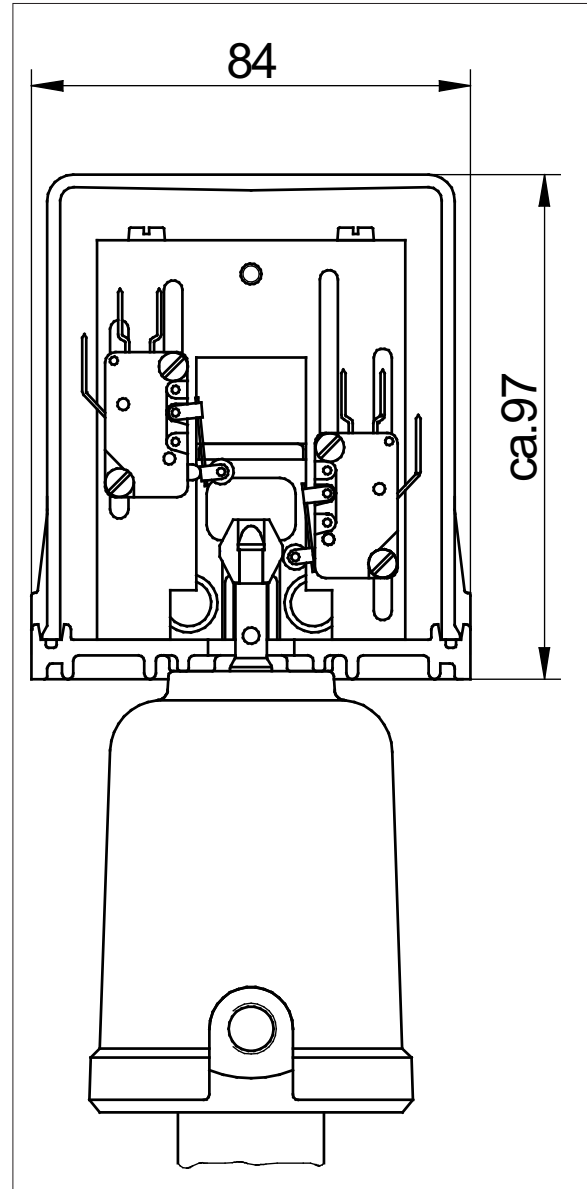
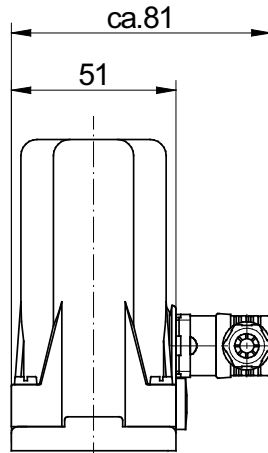


## for pneumatical piston actuators

### Cable Bushing



### Plug-Type Connection



### Standard Switches

Mechanical Switch (Micro Switch)

|                               |                               |           |
|-------------------------------|-------------------------------|-----------|
| Breaking Capacity             | 16 A                          | 5 A       |
| Voltage                       | 250 V AC                      | 4-30 V DC |
| Amb. Temperature              | -4°F up to +176°F             |           |
| Protection of the switches    | IP40                          |           |
| Mech. Lifetime                | 2 x 10 <sup>7</sup> Operation |           |
| In order number designated as |                               |           |
| 1 switch                      | 1M (cable) , 1N (plug)        |           |
| 2 switches                    | 2M (cable) , 2N (plug)        |           |

Inductive Proximity Switches

|                               |                       |
|-------------------------------|-----------------------|
| Breaking capacity             | 200 mA                |
| Voltage                       | 10-36 V DC            |
| Ambient temperature           | -13°F up to +158°F    |
| Protection of the switches    | IP 65                 |
| In Order Number designated as |                       |
| 1 switch                      | PM (cable), PN (plug) |
| 2 switches                    | MM (cable), MN (plug) |

### Special Switches

Ex-Proof Inductive Proximity Switch  
acc. DIN 19 234 (NAMUR)

|                               |                         |
|-------------------------------|-------------------------|
| Voltage                       | 8 V DC                  |
| Amb. Temperature              | -13°F up to +176°F      |
| Protection of the switches    | IP 67                   |
| Ex-Class                      | Ex II 1 G EEx ia IIC T6 |
| In Order Number designated as |                         |
| 1 switch                      | 9M (cable) , 9N (plug)  |
| 2 switches                    | DM (cable) , DN (plug)  |

Inductive Proximity Switches for  
High Operating Voltages\*

|                               |                    |
|-------------------------------|--------------------|
| Breaking capacity             | 250 mA             |
| Voltage                       | 20-250 V AC/DC     |
| Ambient temperature           | -13°F up to +176°F |
| Protection of the switches    | IP 67              |
| In Order Number designated as |                    |
| 1 switch                      | QM (cable)         |
| 2 switches                    | AM (cable)         |

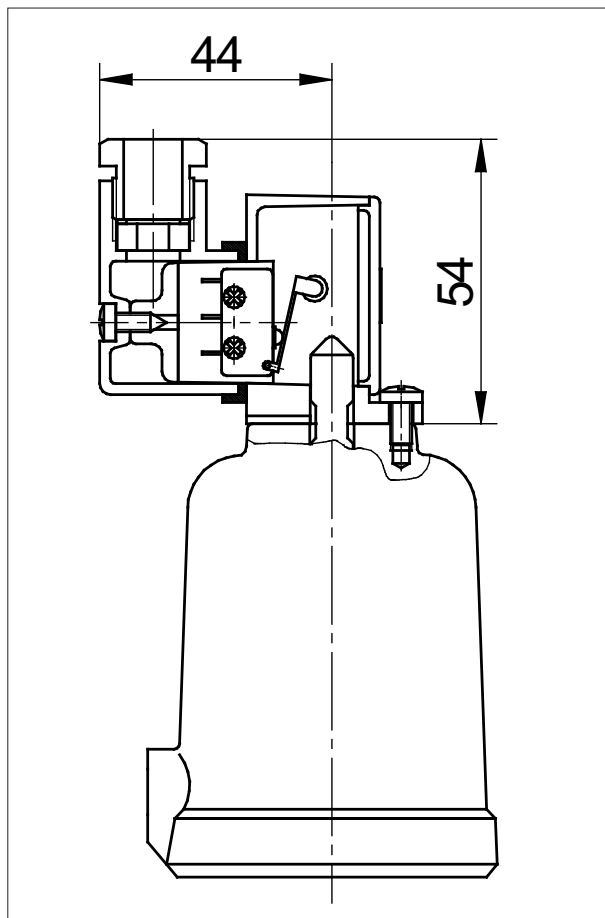
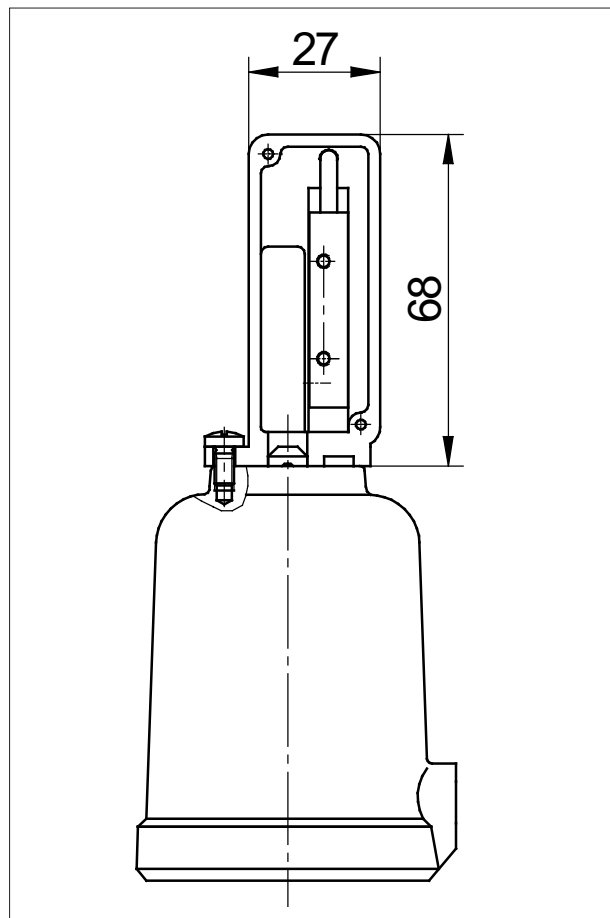
\* No plug-type connection

Protection Class of the body IP43 at an installation angle up to 60° off the vertical line and cable connection on the top side. Otherwise Protection IP40.

# Position Indicator, compact version 9010



for types 7010, 7030, 7031, 7070, 7080



## Inductive Proximity Switch (PNP)

|  |                    |
|--|--------------------|
| Breaking capacity                        | 200 mA             |
| Voltage                                  | 10-36 V DC         |
| Ambient temperature                      | -13°F up to +158°F |
| Protection of the switch                 | IP 67              |
| In Order Number designated as 1 switches | T                  |

## Mechanical Switch

|  |                                |
|--|--------------------------------|
| Breaking capacity                      | 5 A 230 V AC (resistor)        |
|  | 5 A 230 V AC (coil)            |
|  | 0.5 A 230 V AC (filament lamp) |
|  | 2 A 15 - 30 V DC               |
| Ambient temperature                    | -13°F up to +176°F             |
| Protection of the switch               | IP 40                          |
| Working life                           | >10 <sup>6</sup> operations    |
| In Order Number designated as 1 switch | K                              |

Text and pictures are not binding. We reserve the right, to alter the equipment.