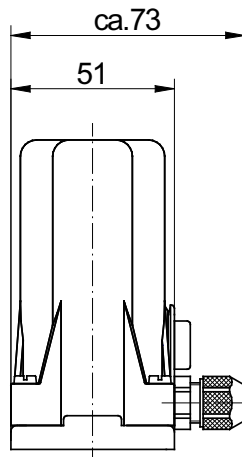


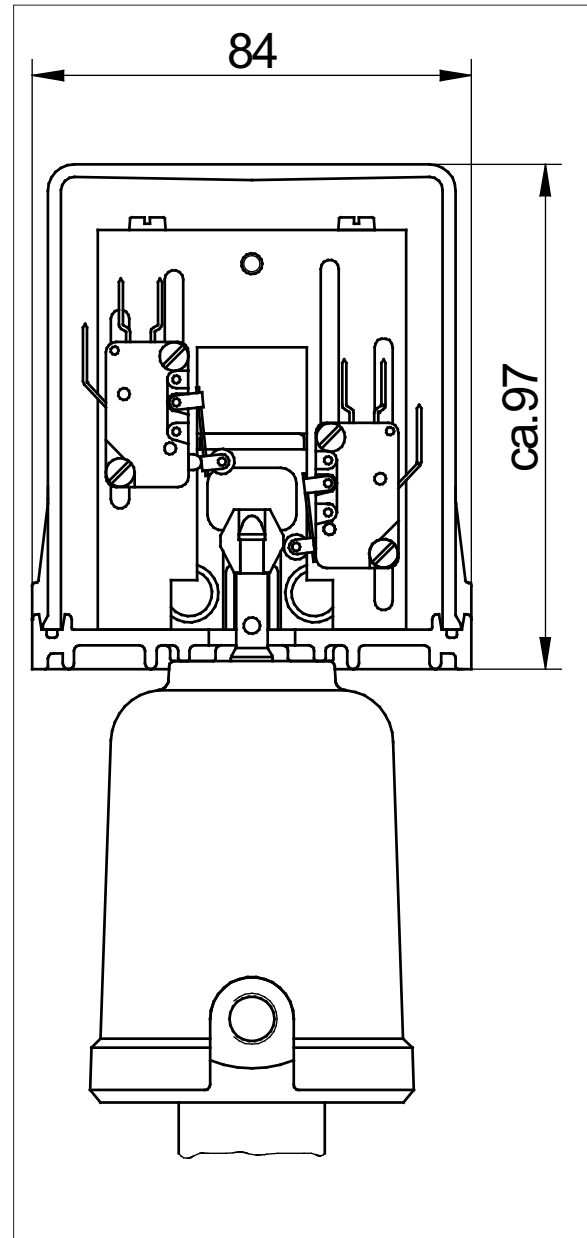
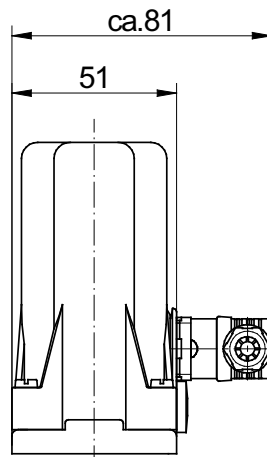
Position Indicator

for pneumatical piston actuators

Cable Bushing



Plug-Type Connection



Standard Switches

Mechanical Switch (Micro Switch)

Breaking Capacity	16 A	5 A
Voltage	250 V AC	4-30 V DC
Ambient Temperature	-20°C up to +80°C	
Protection of the switches	IP40	
Mechanical Lifetime	2 x 10 ⁷ Operation	
In Order Number designated as		
1 switch	1M (cable) , 1N (plug)	
2 switches	2M (cable) , 2N (plug)	

Inductive Proximity Switches

Breaking capacity	200 mA
Voltage	10-36 V DC
Ambient temperature	-25°C bis +70°C
Protection of the switches	IP 65
In Order Number designated as	
1 switch	PM (cable), PN (plug)
2 switches	MM (cable), MN (plug)

Protection Class of the body IP43 at an installation angle up to 60° off the vertical line and cable connection on the top side. Otherwise Protection IP40.

Special Switches

Ex-Proof Inductive Proximity Switch acc. DIN 19 234 (NAMUR)

Voltage	8 V DC
Amb. Temperature	-25°C up to +80°C
Protection of the switches	IP 67
Ex-Class	Ex II 1 G EEx ia IIC T6
In Order Number designated as	
1 switch	9M (cable) , 9N (plug)
2 switches	DM (cable) , DN (plug)

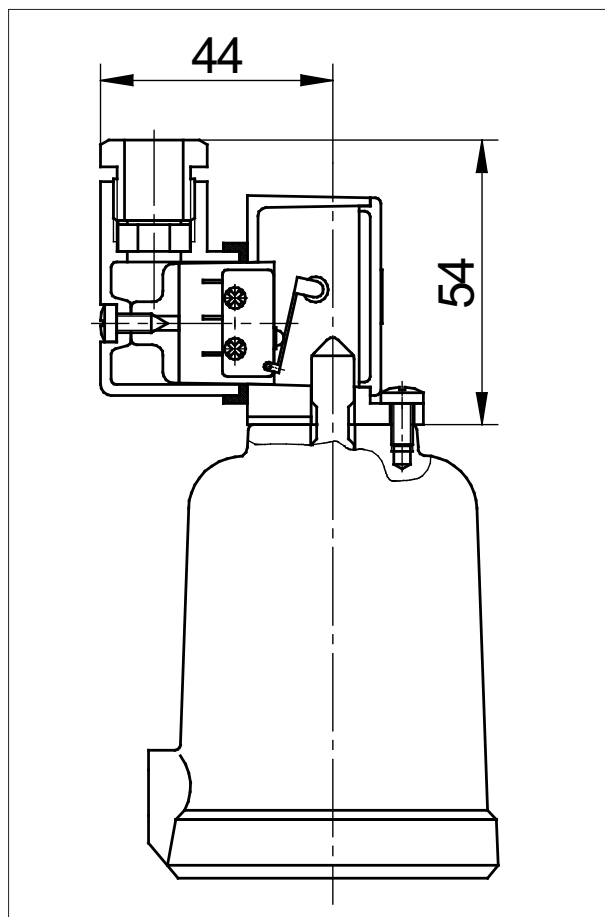
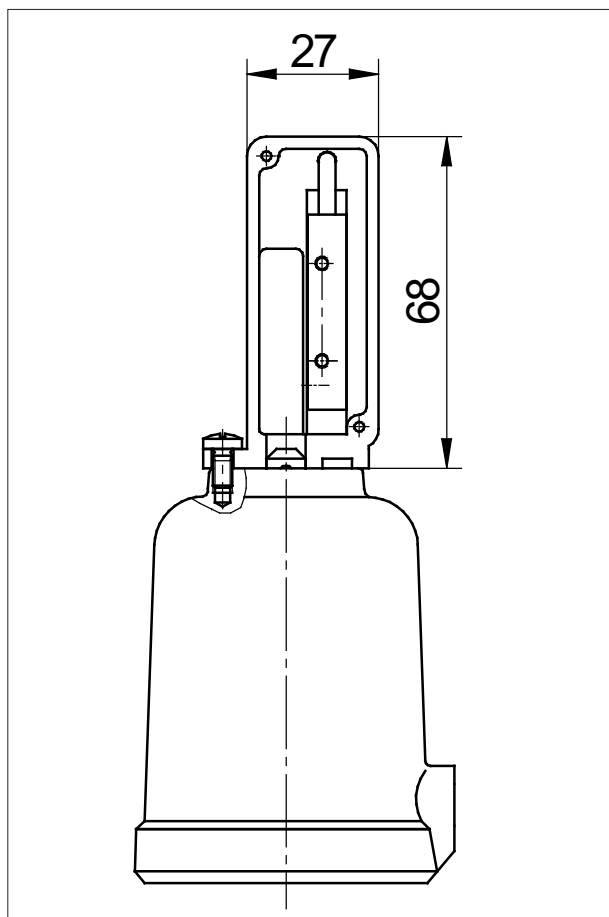
Inductive Proximity Switches for High Operating Voltages*

Breaking capacity	250 mA
Voltage	20-250 V AC/DC
Ambient temperature	-25°C up to +80°C
Protection of the switches	IP 67
In Order Number designated as	
1 switch	QM (cable)
2 switches	AM (cable)

* No plug-type connection

Position Indicator, compact version

for types 7010, 7030, 7031, 7070, 7080



Inductive Proximity Switch (PNP)

Breaking capacity	200 mA
Voltage	10-36 V DC
Ambient temperature	-25°C bis +70°C
Protection of the switch	IP 67
In Order Number designated as 1 switch	T

Mechanical Switch

Breaking capacity	5 A 230 V AC (resistor) 5 A 230 V AC (coil) 0.5 A 230 V AC (filament lamp) 2 A 15 - 30 V DC
Ambient temperature	-25°C up to +80°C
Protection of the switch	IP 40
Working life	>10 ⁶ operations
In Order Number designated as 1 switch	K

Text and pictures are not binding. We reserve the right, to alter the equipment.