

Check Valve 4000



3/8" up to 2 1/2"

Non-return valve for backflow prevention

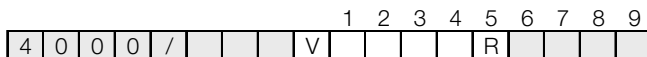
- All wetted parts stainless steel
- Compact design
- Sealing material PTFE



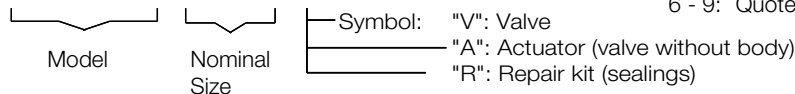
Technical Information

Nominal sizes	angle seat body	3/8" - 2 1/2"
	rectangular body	1/2" - 2"
	flange body	1/2" - 2"
Body material	stainless steel 316 L	
Material inner parts	stainless steel 316 Ti	
Material seating seal	teflon (PTFE)	
Connections	NPT-thread 3/8" - 2" flanges acc. DIN EN 1092-1 (welding ends on request)	
Pressure class	580 psi	
pressure limitation	limitation for dangerous gases acc. Pressure equipment directive 97/23/EG (category I): PS (psi) x DN (inch) / 1.75 < 1000	
Cracking/lifting pressure	3 psi	
Temperature range	-4°F up to +392°F	

Ordering Number System



1 - 5: Please quote all 6 sections.
6 - 9: Quote only if required.



1. Body type	2. Connection	3. Body material	4. Seating seal	5. Pilot function	6. Springs	7. Body	8. Upper part	9. Special versions
1 angled body	5 NPT-thread	2 Stainless steel	0 PTFE	R check valve (please quote)	- standard	- standard	- standard	S special versions
3 flange ANSI150	6 without thread		- without		0 reduced spring resistance			
7 rectangular flange PN40 (580psi)	E welding ends acc. drawing R0094		1 Viton		B without spring			
	H welding ends acc. ISO		2 EPDM					
			3 NBR					

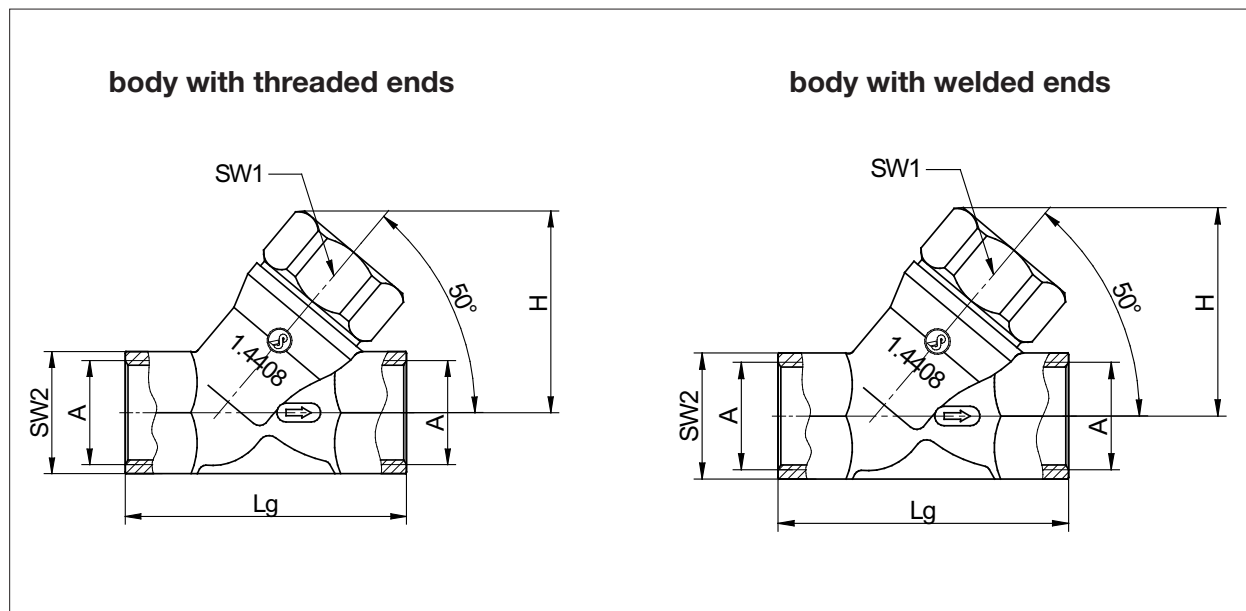
Ordering example: 4000/020V1020R
check valve with angle body, nominal size DN20, whitworth thread, stainless steel body, PTFE seat material, check valve

Operating Pressures

Nominal size inch	adm. differential pressure (backpressure) psi seating seal	
	PTFE	FKM / EPDM / NBR
3/8"	580	230
1/2"	580	230
3/4"	580	230
1"	580	230
1 1/4"	580	230
1 1/2"	510	230
2"	390	230
2 1/2"	290	230

Dimensions and Weights

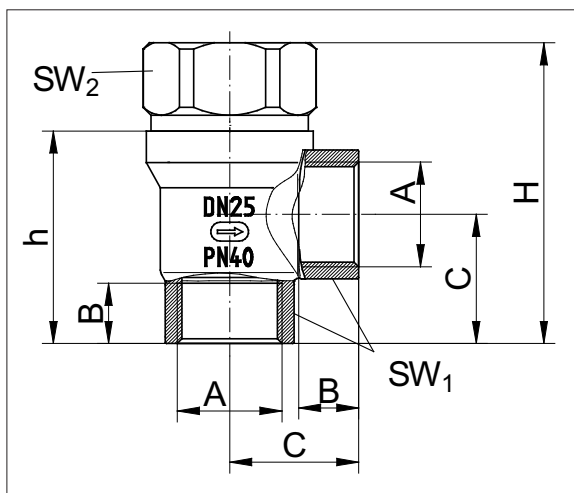
angle seat body



Size	A Rp	H	D	S	Lg	Ls	SW1	SW2	Cv value	Weight lbs	Ordering number
3/8"	NPT 3/8"	1.71	-	-	2.36	-	1.06	0.91	1.2	0.5	7009977
1/2"	NPT 1/2"	1.67	0.84	0.08	2.56	3.15	1.06	0.98	3	0.5	7005544
3/4"	NPT 3/4"	1.93	1.06	0.09	2.95	3.54	1.26	1.22	7	1	7005545
1"	NPT 1"	2.26	1.33	0.1	3.54	3.94	1.42	1.54	13.3	1.5	7005546
1 1/4"	NPT 1 1/4"	2.56	1.68	0.1	4.33	4.33	1.42	1.89	21.5	2.5	7005547
1 1/2"	NPT 1 1/2"	2.91	1.9	0.1	4.72	4.72	1.06	2.17	32.5	2.5	7005548
2"	NPT 2"	3.74	2.37	0.11	5.91	5.91	1.42	2.68	47.6	5	7005549
2 1/2"	NPT 2 1/2"	5.41	3	0.11	7.09	7.09	1.42	3.35	87	9	7005550

Dimension in inch

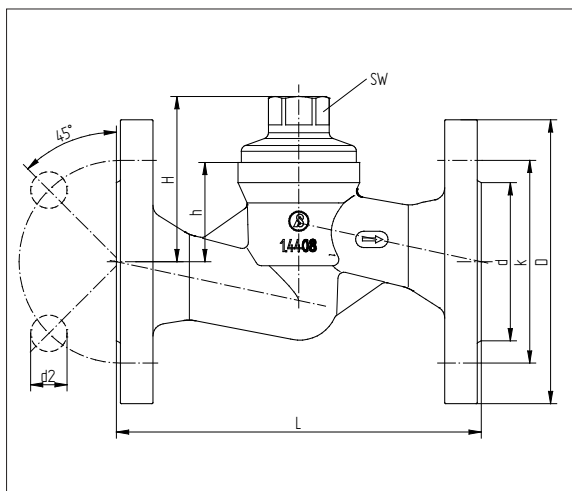
rectangular body



Size	with G-thread		with NPT-thread		C	SW1	SW2	h	H	Weight lbs
	A	B	A	B						
1/2"	G 1/2"	0.59	NPT 1/2"	0.57	1.61	0.98	1.26	2.52	2.95	3
3/4"	G 3/4"	0.64	NPT 3/4"	0.59	1.61	1.26	1.42	2.6	3.48	3.5
1"	G 1"	0.75	NPT 1"	0.7	1.61	1.61	1.42	2.66	3.76	4.5
1 1/4"	G 1 1/4"	0.84	NPT 1 1/4"	0.72	2.56	1.97	1.06	3.66	4.94	5
1 1/2"	G 1 1/2"	0.84	NPT 1 1/2"	0.72	2.56	2.17	1.42	3.98	5.51	7.5
2"	G 2"	1.01	NPT 2"	0.72	2.56	2.68	1.42	4.57	6.56	11.5

Dimension in inch

flanged body



Size	L	D	k	H	h	d	d1	SW	Weight lbs
1/2"	5.12	3.74	2.56	1.72	1.3	1.77	0.55	1.26	8.5
3/4"	5.91	4.13	2.95	2.4	1.52	2.28	0.55	1.42	8.5
1"	6.3	4.53	3.35	2.83	1.73	2.68	0.55	1.42	9.5
1 1/4"	7.09	5.51	3.94	3.21	1.93	3.07	0.71	1.06	13.5
1 1/2"	7.87	5.91	4.33	3.88	2.34	3.46	0.71	1.42	18
2"	9.06	6.5	4.92	5.17	3.2	4.02	0.71	1.42	25.5

Dimension in inch

Text and pictures are not binding. We reserve the right to alter the equipment.