

Process Controller 2504

Compact Process Controller in Switch Board Size 1.9" x 3.8" for Standard Control Applications.

- Analogue, thermocouple and Pt100-input
- Switching (2- or 3-step) or analogue output
- Alarm output
- 24 V transmitter supply
- Self-tuning function for determination of control parameters

Electrical Data

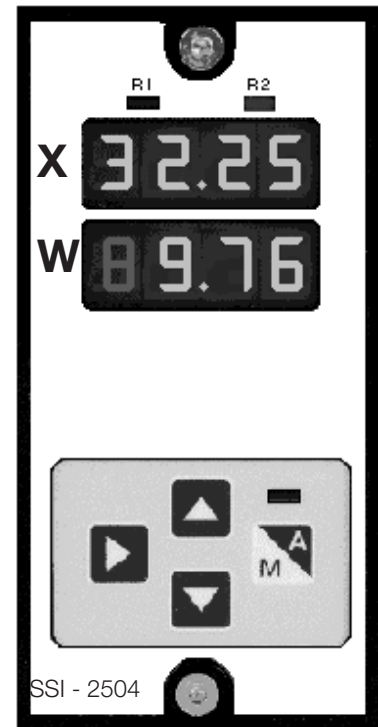
Power supply	110/220 V \pm 20 %, 50/60 Hz
Power consumption	6 VA

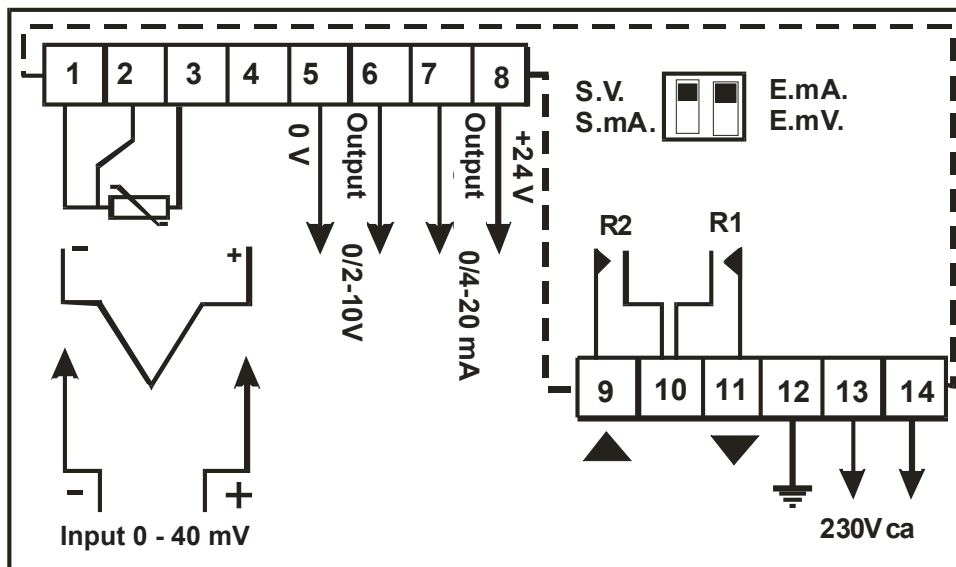
Input Signals

Pt 100 (3-wire)	-150 ... + 750°F
Thermocouple type J	+30 ... 1110°F
Thermocouple type K	+30 ... 2190°F
Thermocouple type S	+30 ... 2910°F
Analogue input 0 - 40 mV or 0/4 - 20 mA	Free scaling of display range -999 ... 9999
24 VDC supply for 4 - 20 mA transmitters	

Control Functions, Output Signals

2-step control with alarm
3-step control (without feedback, without alarm)
Analogue control 0/4 - 20 mA or 0/2 - 10 V with alarm





Mechanical Data

Size	Front plate 1.9" x 3.8"
Weight	600 g (1320 lbs)
Length	5.5 inches (with connections)
Casing	metal, anodised aluminium
Front and back plate	Polycarbonate
Protection class front plate	IP 54
Protection class back plate	IP 20
Adm. Ambient temperature	+32 ... +113°F
Max. operating humidity	0 to 80 % rel., no condensation

Text and pictures are not binding. We reserve the right, to alter the equipment.